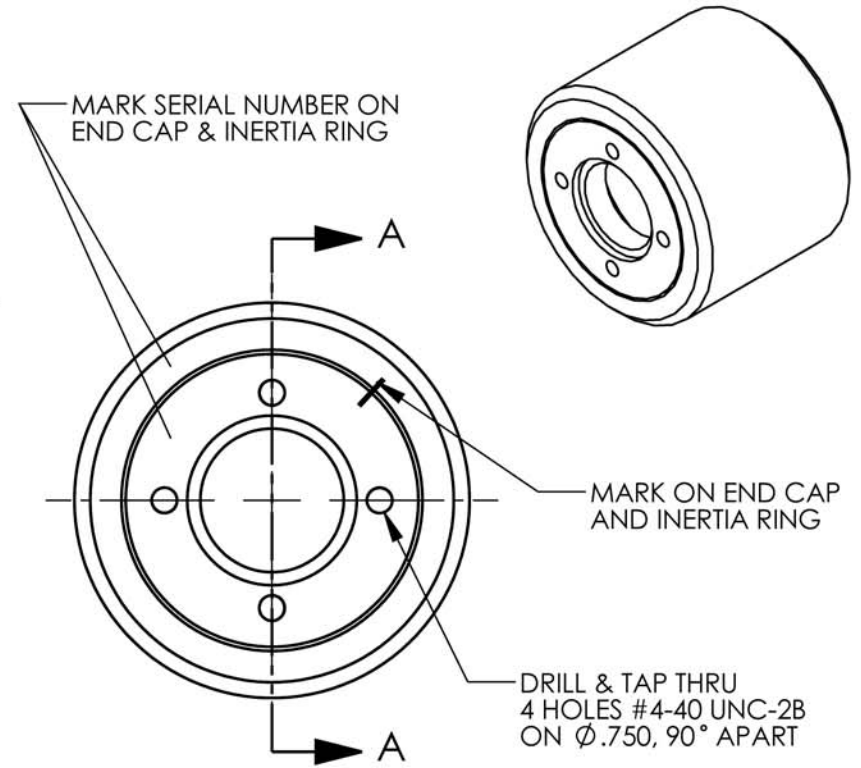
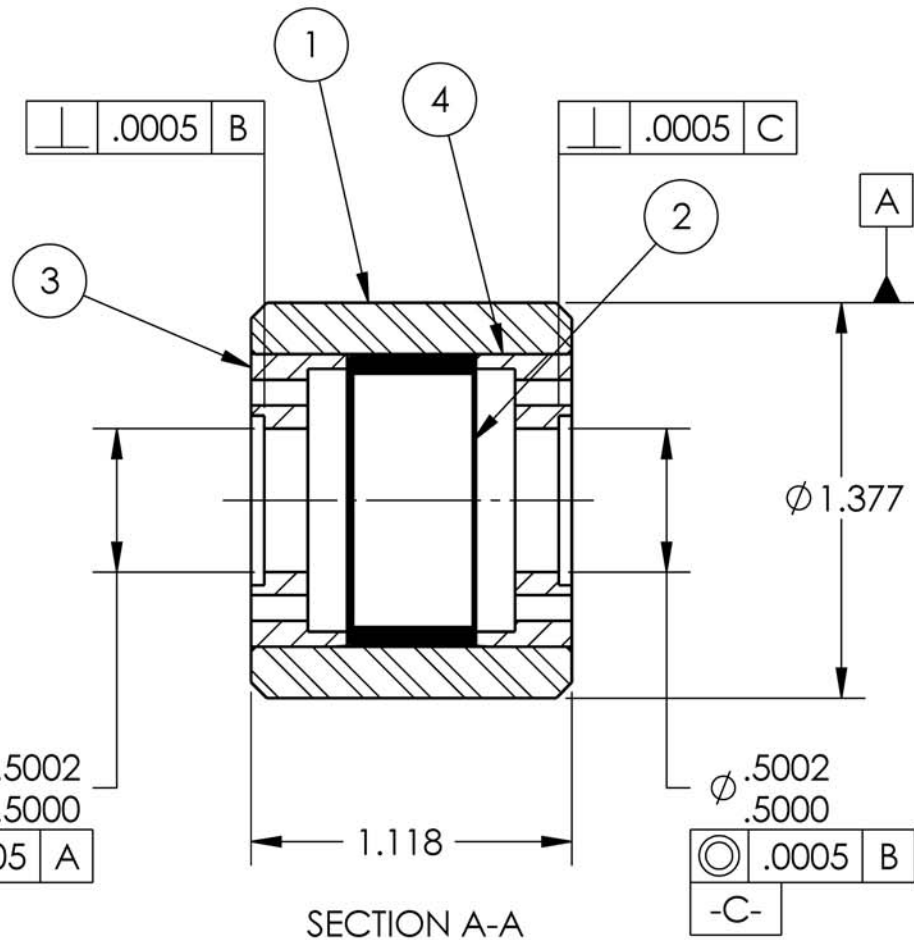


| ITEM NO. | PART NUMBER | DESCRIPTION         | MATERIAL | QTY. |
|----------|-------------|---------------------|----------|------|
| 1        | 7029-A33    | 477 HYSTERISIS RING |          | 1    |
| 2        | 7071-A4-001 | HYSTERISIS RING     |          | 1    |
| 3        | 7071-A5     | END CAP             |          | 2    |
| 4        | 155-0001    |                     |          | A/R  |

| REVISIONS |      |                        |          |          |
|-----------|------|------------------------|----------|----------|
| ZONE      | REV. | DESCRIPTION            | DATE     | APPROVED |
|           | A    | RELEASE FOR PRODUCTION | 10-13-05 |          |



**Scot PN 10HM7-135C**

|     |       |   |
|-----|-------|---|
| ⊙   | .0005 | A |
| -B- |       |   |

|     |       |   |
|-----|-------|---|
| ⊙   | .0005 | B |
| -C- |       |   |

|  |        |      |          |  |
|--|--------|------|----------|--|
| DRAWN  | BOSNAK | DATE | 10-13-05 | <p>800-1 Frontenac Road<br/>Aurora, IL 60504-3146<br/>United States<br/>(630)236-1020<br/>FAX: (630)236-1030</p> |
| CHECKED  |        |      |          |  |
| ENG APPR.  |        |      |          |  |
| UNLESS OTHERWISE SPECIFIED:  |        |      |          | DWG. NO.   |
| MATERIAL   |        |      |          | <b>7071-A6</b>   |
| FINISH   |        |      |          | SIZE <b>A</b>  |
| DIMENSIONS ARE IN INCHES<br>TOLERANCES:<br>FRACTIONAL: ±1/32<br>ANGULAR: MACH ±2°<br>TWO PLACE DECIMAL ±.01<br>THREE PLACE DECIMAL ±.005 |        |      |          | TITLE: INERTIA, HYSTERISIS RING & END CAP ASS'Y  |
| NEXT ASSEMBLY  |        |      |          | SCALE: 3:1   |
| DO NOT SCALE DRAWING   |        |      |          | WEIGHT:  |
|  |        |      |          | SHEET 1 OF 1   |

**PROPRIETARY AND CONFIDENTIAL**  
 THE INFORMATION CONTAINED IN THIS DRAWING IS THE SOLE PROPERTY OF SCOT ELECTRICAL PRODUCTS. ANY REPRODUCTION IN PART OR AS A WHOLE WITHOUT THE WRITTEN PERMISSION OF SCOT ELECTRICAL PRODUCTS IS PROHIBITED.