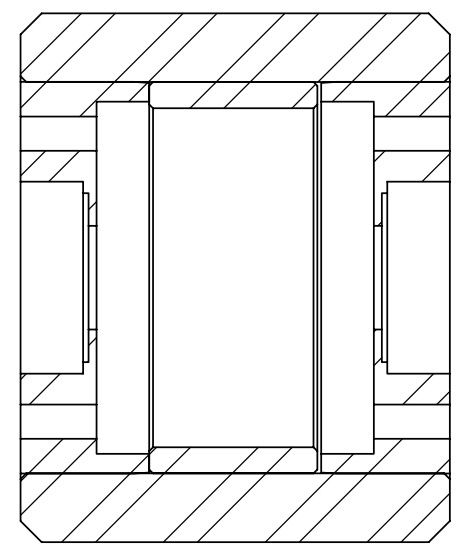
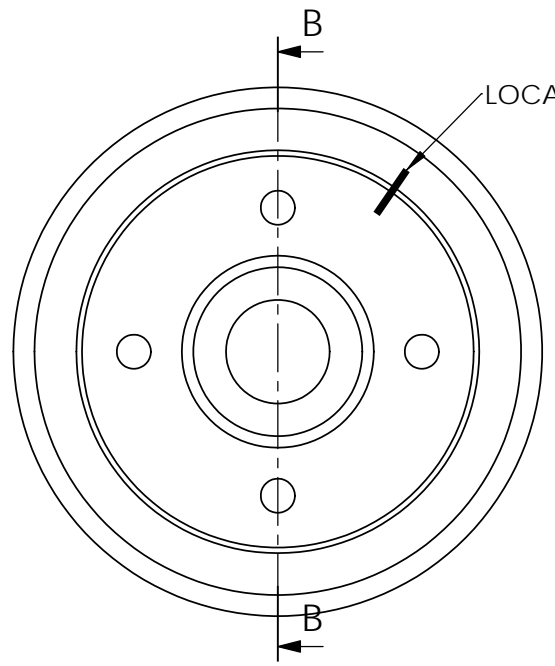


REVISIONS				
ZONE	REV.	DESCRIPTION	DATE	APPROVED
	A	PRELIMINARY - NOT RELEASED	1/8/2008	

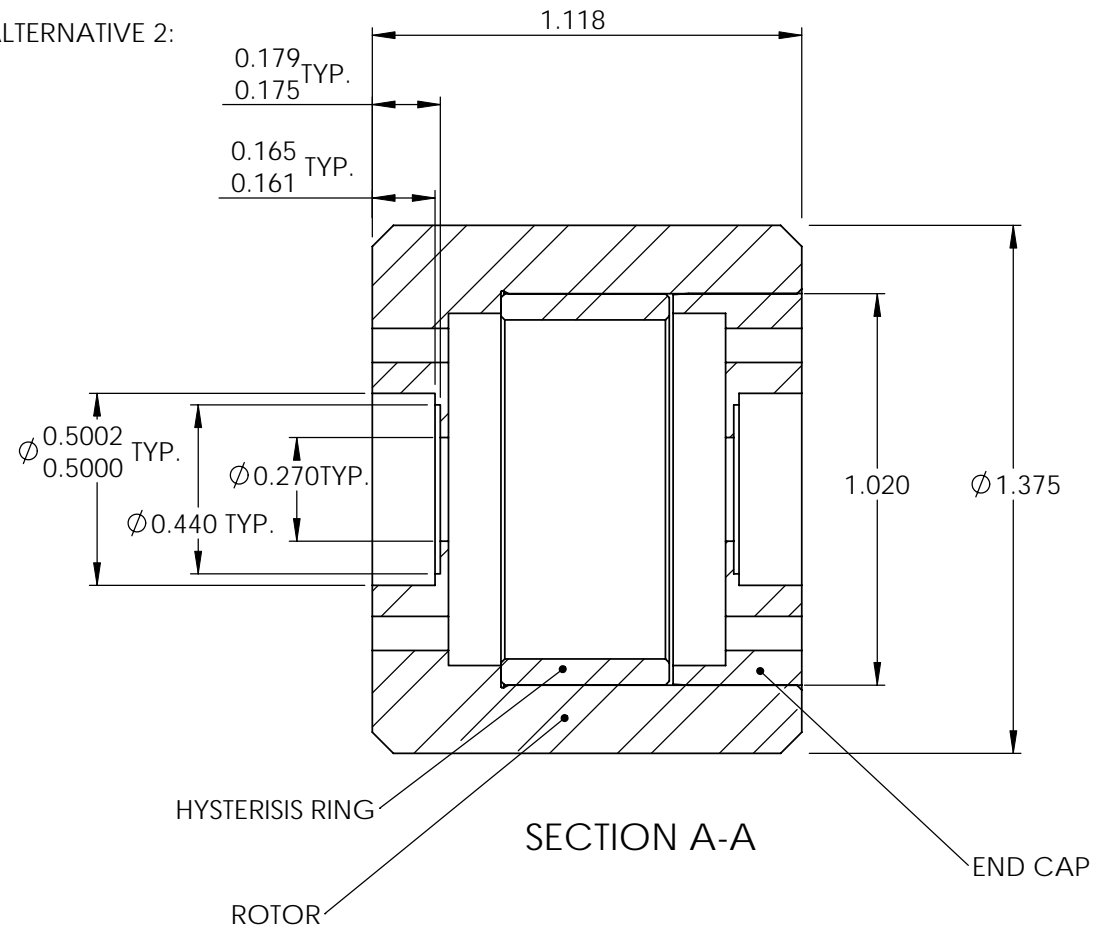
ALTERNATIVE 1:



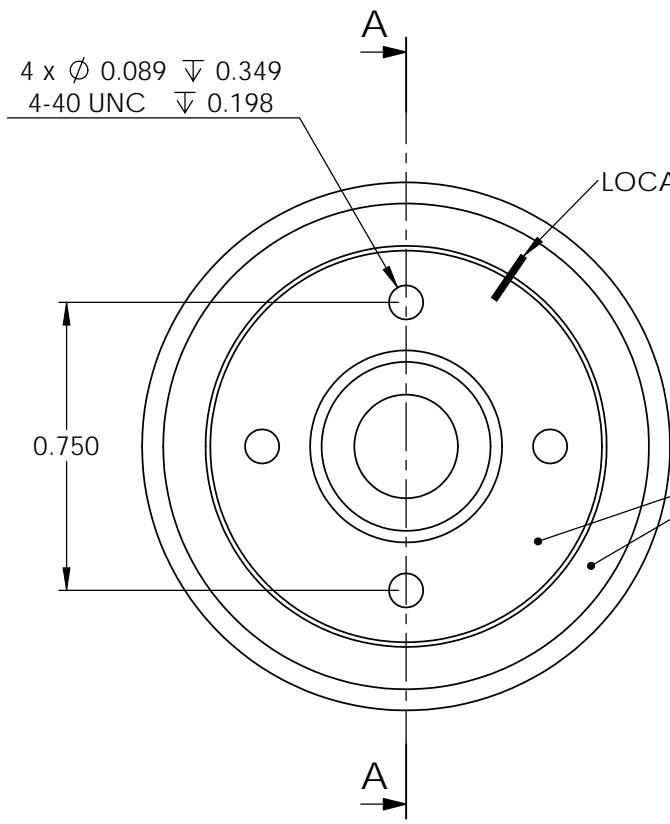
SECTION B-B



ALTERNATIVE 2:



SECTION A-A



**PROPRIETARY AND CONFIDENTIAL**  
 THE INFORMATION CONTAINED IN THIS DRAWING IS THE SOLE PROPERTY OF SCOT ELECTRICAL PRODUCTS. ANY REPRODUCTION IN PART OR AS A WHOLE WITHOUT THE WRITTEN PERMISSION OF SCOT ELECTRICAL PRODUCTS IS PROHIBITED.  
 DO NOT SCALE DRAWING

NAME	DATE	 800-1 Frontenac Road Aurora, IL 60504-3146 United States (630)236-1020 FAX: (630)236-1030
DRAWN	1-8-08	
CHECKED		DWG. NO. <b>10HM7-143C</b>
ENG APPR.		
UNLESS OTHERWISE SPECIFIED:		SIZE <b>B</b> TITLE: <b>GYRO ROTOR - LIGHT</b> REV <b>A</b>
MATERIAL	DIMENSIONS ARE IN INCHES TOLERANCES: FRACTIONAL $\pm 1/32$ ANGULAR: MACH $\pm 2$ TWO PLACE DECIMAL $\pm 01$ THREE PLACE DECIMAL $\pm 005$	SCALE: 2:1 WEIGHT: SHEET 1 OF 1
FINISH		