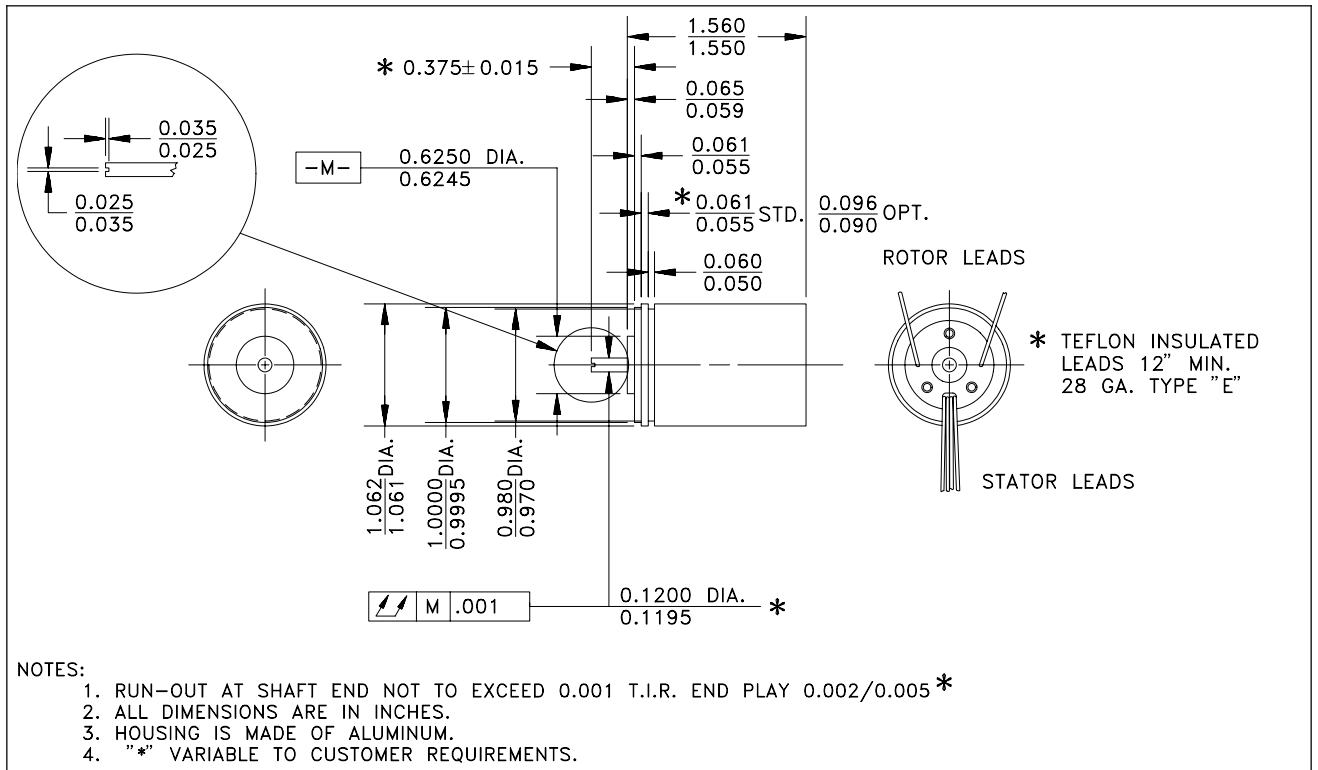
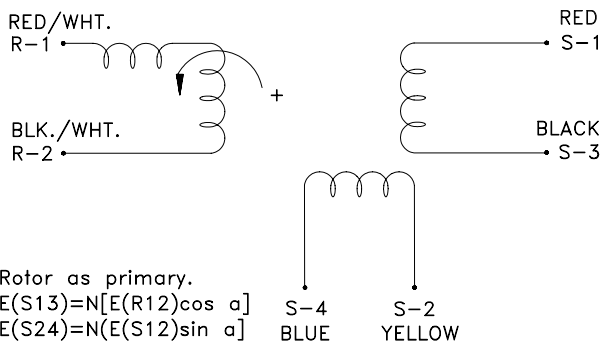


# SIZE 11 RESOLVER



## DESCRIPTION

With AC input to the rotor, a resolver generates two output voltages varying in sine and cosine function of the mechanical angle of the rotor shaft. The resolution of the angle is infinite in analog and in digital, it will depend on the resolver to digital converter used.



## ELECTRICAL CHARACTERISTICS

Input Voltage (Rotor)	1 Vrms
Input Frequency	30 Hz
Input Current	5.3 ma ± 10%
Input Power	.005 ± 20% W
Output Voltage (Rotor)	.407 ± 10% Vrms
Transformation Ratio	.407 ± 10%
Total Null	10 mv max.
Input Impedance (ref.) $Z_{RO}$	177 + j 67 ohms
Output Impedance (ref.) $Z_{SO}$	173 + j 99 ohms
Accuracy	± 20 minutes

## OPTIONS

We welcome requests for modifications to fit your exact needs.

P/N 11CW5-006		Date: 10/5/2001	
SCOT ELECTRICAL PRODUCTS Division of Win Technologies Inc.	Title  SIZE 11 RESOLVER	DWG # SBN1036	REV A
		FSCM No. ONFF5	
800-1 Frontenac Rd. • Aurora, IL 60504 • Phone 630 236 1020 • Fax 630 236 1030 • www.Scot-Wintech.com			Sheet 1 of 1